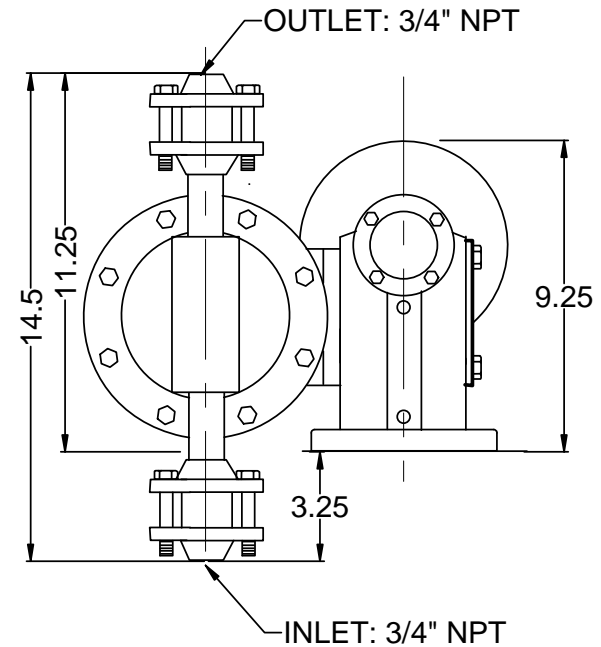
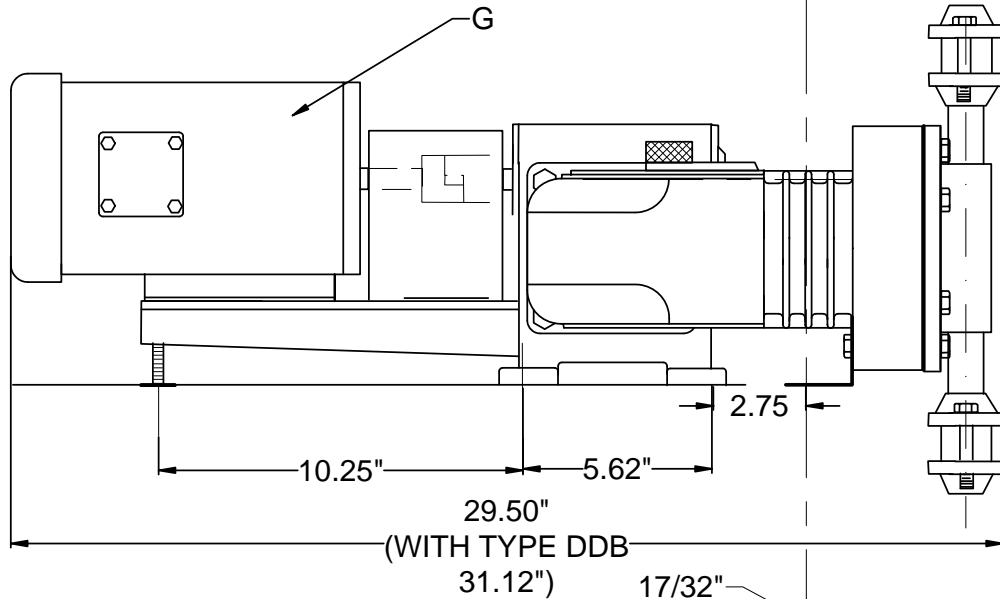
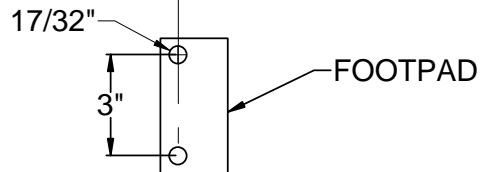


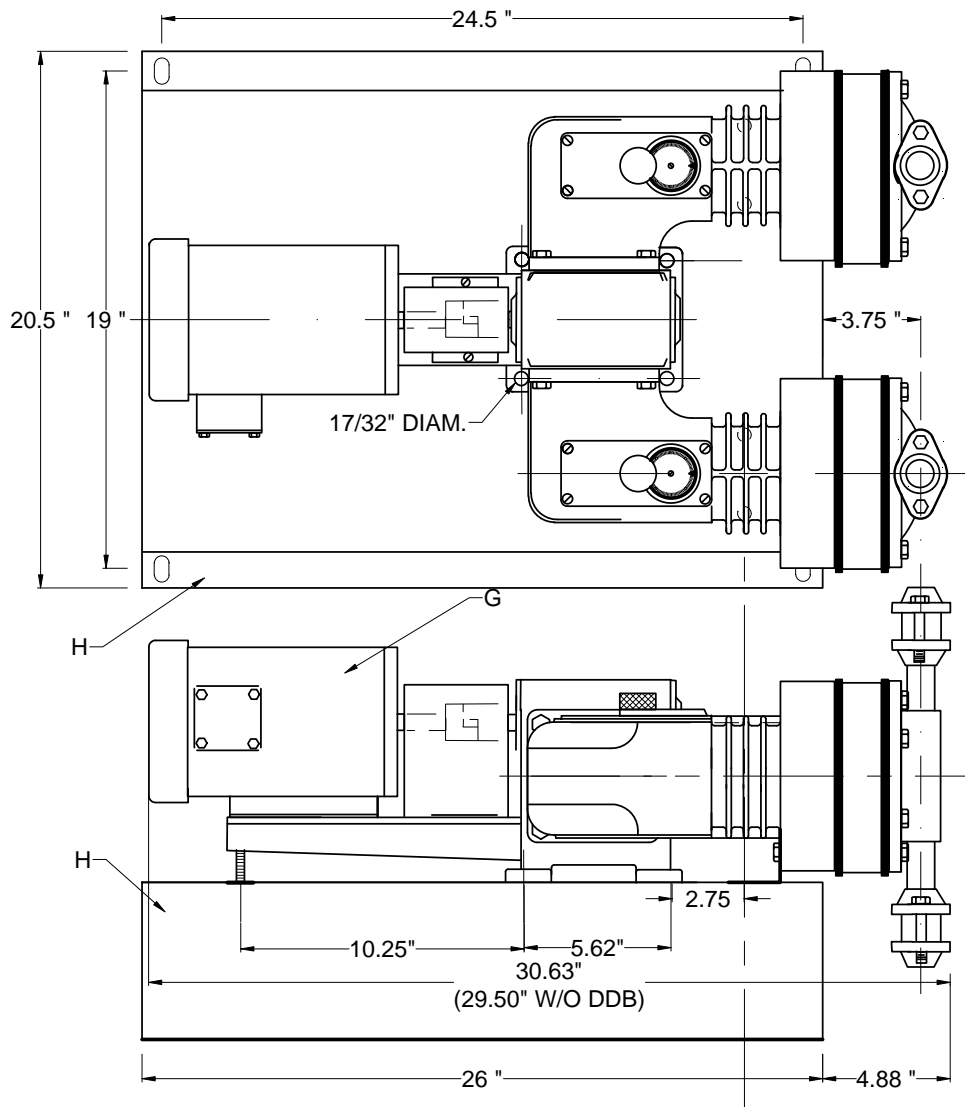
MH SERIES PUMPS
 CONSTRUCTION:
 A. SOLUTION HEAD AND VALVE CAPS: TBD
 B. PIPING CONNECTIONS: 3/4" NPTF
 C. PAINT FINISH: TBD
 D. DIAPHRAGM: TBD
 E. VALVE BALLS AND SEATS: TBD
 F. TYPE DDB DOUBLE DIAPHRAGM: OPTIONAL
 G. MOTOR: () HP, 3/60/230-460, 1,725 RPM,
 56 FRAME, TEFC ENCLOSURE STANDARD
 OTHER VOLTAGE AND ENCLOSURES OPTIONAL



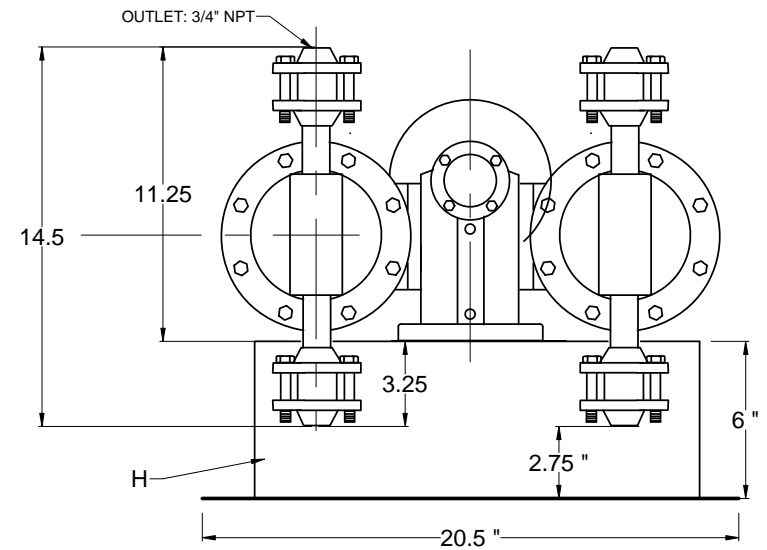
MH SERIES SIMPLEX MODELS:
 MH196D 9-96 GPH
 MH1125E 12-125 GPH
 MH1150F 15-150 GPH
 MH1180F 18-180 GPH



MADDEN Pump ELKHART, IN	
DIAPHRAGM METERING PUMP MH SERIES SIMPLEX LAYOUT	
DATE: 1-29-08 REV. NO. 0	MH PUMP



- MH SERIES PUMP CONSTRUCTION**
- A. SOLUTION HEAD AND VALVE CAPS: TBD
 - B. PIPING CONNECTIONS: 3/4" NPTF
 - C. PAINT FINISH: ACRYLIC ENAMEL, BLUE (OPTIONAL EPOXY PRIMER/POLYURETHANE TOP COAT)
 - D. DIAPHRAGM: TBD
 - E. VALVE BALLS: TBD
 - F. TYPE DDB DOUBLE DIAPHRAGM: SHOWN, OPTIONAL CONSTRUCTION
 - G. MOTOR: __ HP, 3/60/230-460, TEFC, 1725 RPM (OPTIONAL VOLTAGE AND ENCLOSURES)
 - H. SHOWN WITH OPTIONAL STEEL BASE PLATE



MH SERIES DUPLEX MODELS
 MH296D 9.6-192 GPH
 MH2125E 12-250 GPH
 MH2150F 15-300 GPH
 MH2180F 18-360 GPH

MADDEN Pump ELKHART, IN	
DIAPHRAGM METERING PUMP DUPLEX CONSTRUCTION	
DATE: 1-29-08 REV. NO. 0	MH SERIES